

LINEAR IC

QUAD OPERATIONAL
AMPLIFIER

MB3614

QUAD OPERATIONAL AMPLIFIER
OPERATES FROM A SINGLE OR DUAL POWER SUPPLY

The Fujitsu MB3614 is a Quad operational amplifier having a phase compensatory circuitry and operates from a single power supply or dual power supplies.

The device has equivalent electrical characteristics of current industrial standard operational amplifier and requires low power supply current.

MB3614 can be high density mounted because it integrates 4 circuits in DIP/FPT 14-pin package.

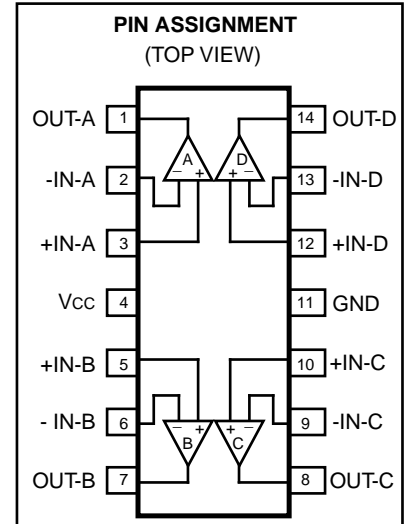
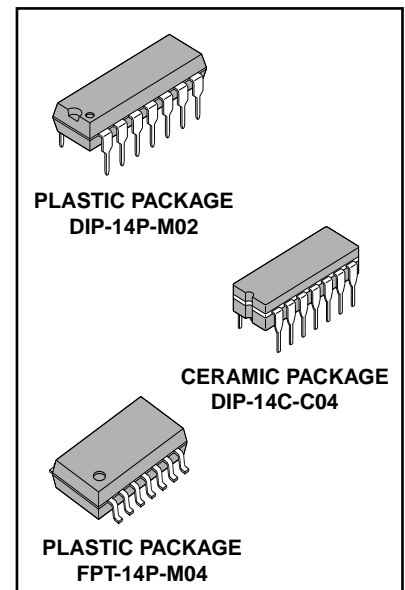
- No phase compensation required
- Wide power supply voltage
 - Single power supply: +3 to +30 V
 - Dual power supplies: ± 1.5 to ± 15 V
- Wide input common mode range: 0 to $(V_{CC} - 1.5)$ V
- Low power supply current: 0.8 mA typ.
- Low input offset voltage: 2 mV typ.
- Package
 - 14-pin Plastic DIP package (Suffix: -P)
 - 14-pin Ceramic DIP package (Suffix: -Z)
 - 14-pin Plastic FPT package (Suffix: -PF)

■ ABSOLUTE MAXIMUM RATINGS (see NOTE)

 $(T_A=25^\circ\text{C})$

Rating	Symbol	Value	Unit
Power Supply Voltage	V_{CC}	36	V
Differential Input Voltage	V_{ID}	36	V
Input Common Mode Voltage	V_I	-0.3 to +36	V
Power Dissipation	P_D	570	mW
Operating Temperature	T_A	-20 to +75	$^\circ\text{C}$
Storage Temperature	Plastic	T_{STG}	-55 to +125 $^\circ\text{C}$
	Ceramic	T_{STG}	-65 to +150 $^\circ\text{C}$

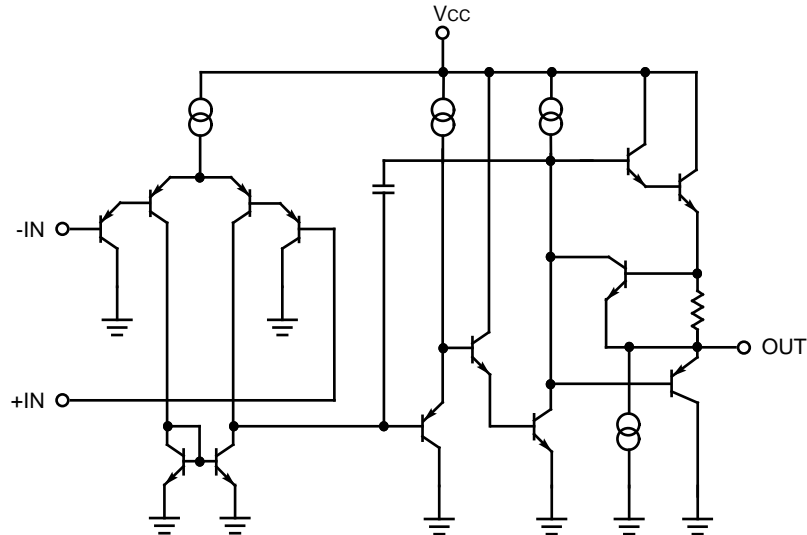
NOTE: Permanent device damage may occur if the above **Absolute Maximum Ratings** are exceeded. Functional operation should be restricted to the conditions as detailed in the operational sections of this data sheet. Exposure to absolute maximum rating conditions for extended periods may affect device reliability.



This device contains circuitry to protect the inputs against damage due to high static voltages or electric fields. However, it is advised that normal precautions be taken to avoid application of any voltage higher than maximum rated voltages to this high impedance circuit.

MB3614

Fig. 1 — EQUIVALENT CIRCUIT



■ ELECTRICAL CHARACTERISTICS

($V_{CC} = 5\text{ V}$, $T_A = 25^\circ\text{C}$)

Parameter	Symbol	Condition	Value			Unit
			Min	Typ	Max	
Input Offset Voltage	V_{IO}	—	—	2	7	mV
Input Offset Current	I_{IO}	—	—	5	50	nA
Input Bias Current	I_I^*	—	—	45	250	nA
Power Supply Current	I_{CC}	$R_L = \infty$	—	0.8	2.0	mA
Input Common Mode Voltage	V_{CM}	—	0	—	$V_{CC} - 1.5$	V
Voltage Gain	A_V	$R_L \geq 2\text{ k}\Omega$	25	100	—	V/mV
Output Voltage	V_{OH}	$V_{CC} = 30\text{ V}$, $R_L = 2\text{ k}\Omega$	26	28	—	V
	V_{OL}	$V_{CC} = 5\text{ V}$, $R_L \leq 10\text{ k}\Omega$	—	5	20	mV
Output Current	I_{SOURCE}	$V_{CC} = 15\text{ V}$, $V_{IN+} = 1\text{ V}$	20	40	—	mA
	I_{SINK}	$V_{CC} = 15\text{ V}$, $V_{IN-} = 1\text{ V}$	10	20	—	mA
Common Mode Rejection Ratio	CMRR	—	65	85	—	dB
Power Supply Voltage Rejection Ratio	SVRR	—	65	100	—	dB
Channel Separation	CS	—	—	120	—	dB

Note:

* A direction of the input bias current flows from IC because first input transistor consists of PNP.

■ TYPICAL CHARACTERISTICS CURVES

Fig. 2 - Power Supply Current vs. Power Supply Voltage

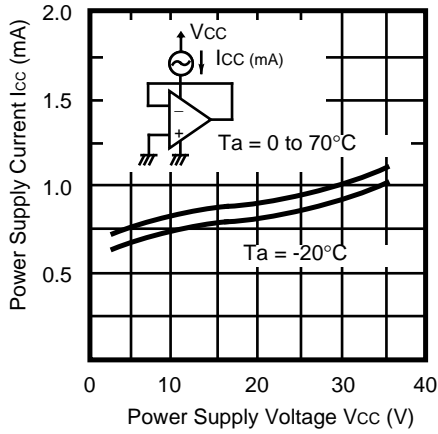


Fig. 3 - Input Bias Current vs. Temperature

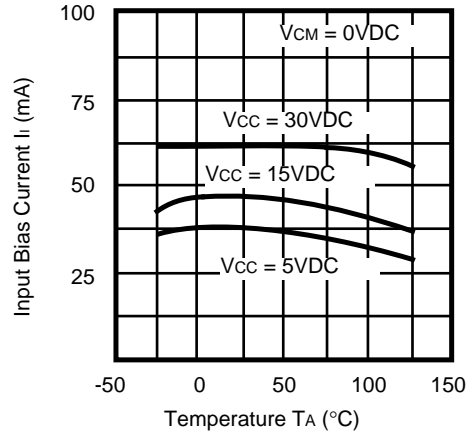


Fig. 4 - Voltage Gain vs. Power Supply Voltage

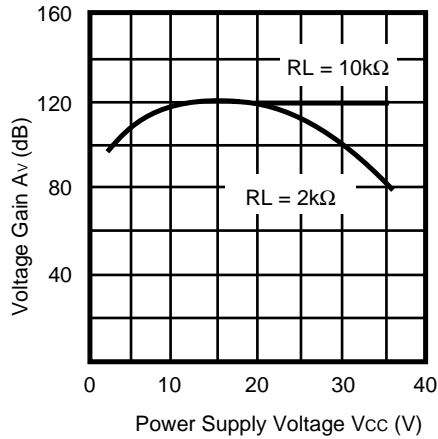


Fig. 5 - Voltage Gain vs. Frequency

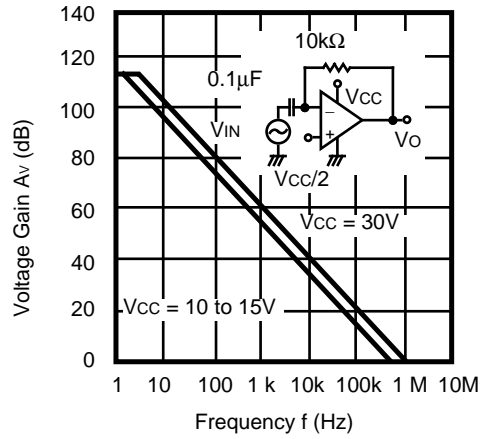


Fig. 6 - Output Voltage vs. Frequency

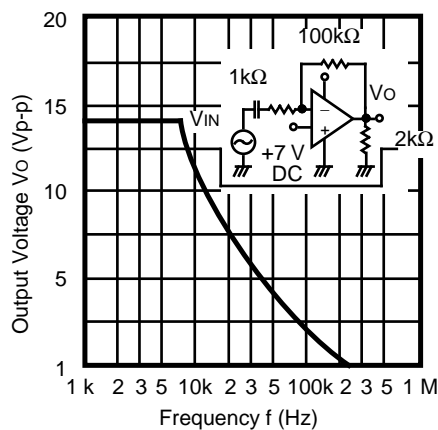
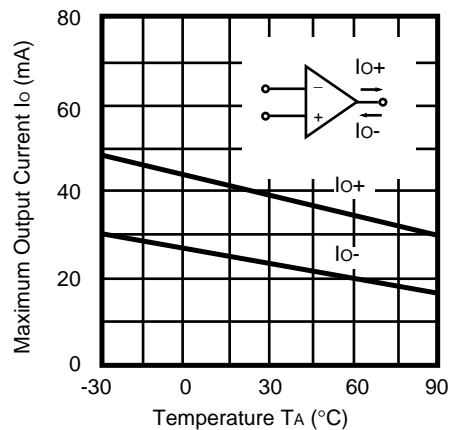


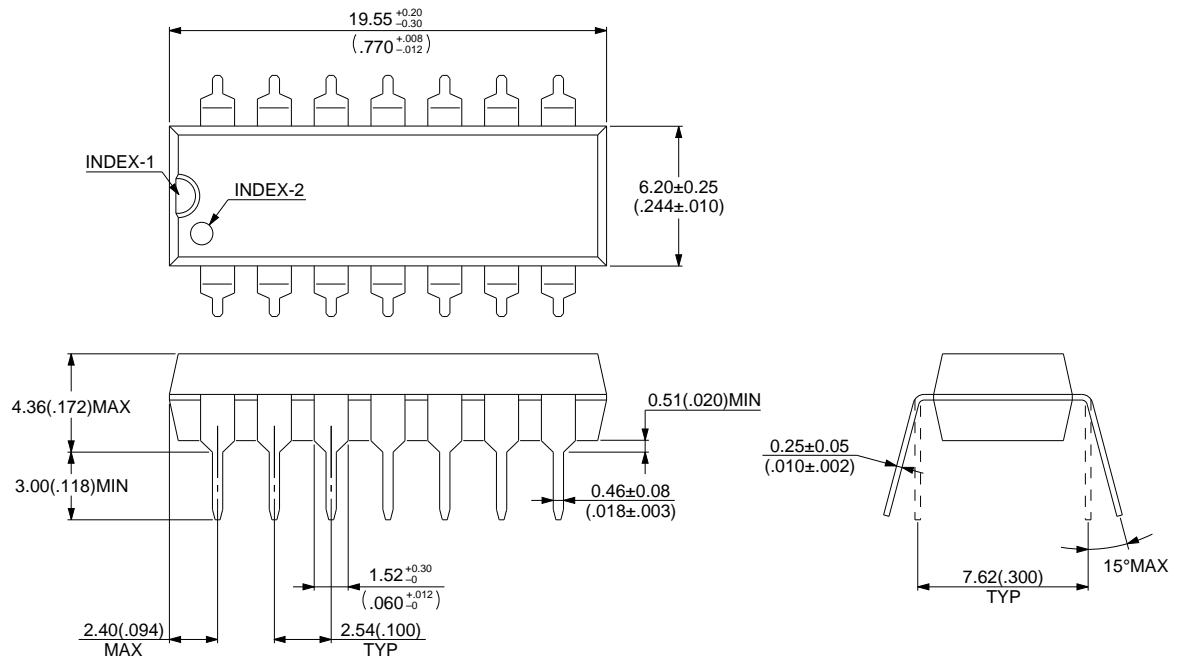
Fig. 7 - Maximum Output Voltage vs. Temperature



MB3614

■ PACKAGE DIMENSIONS

14 pin, Plastic DIP
(DIP-14P-M02)

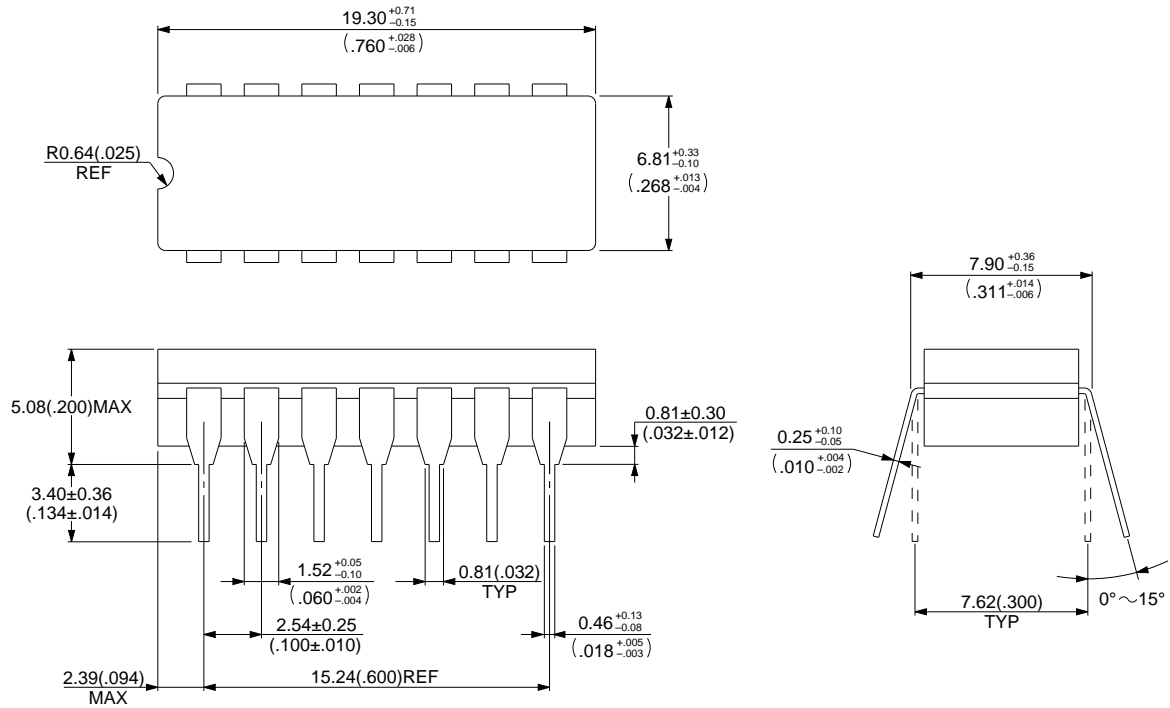


© 1994 FUJITSU LIMITED D14010S-4C-3

Dimensions in mm(inches).

■ PACKAGE DIMENSIONS (Continued)

14 pin, Ceramic DIP
(DIP-14C-C04)



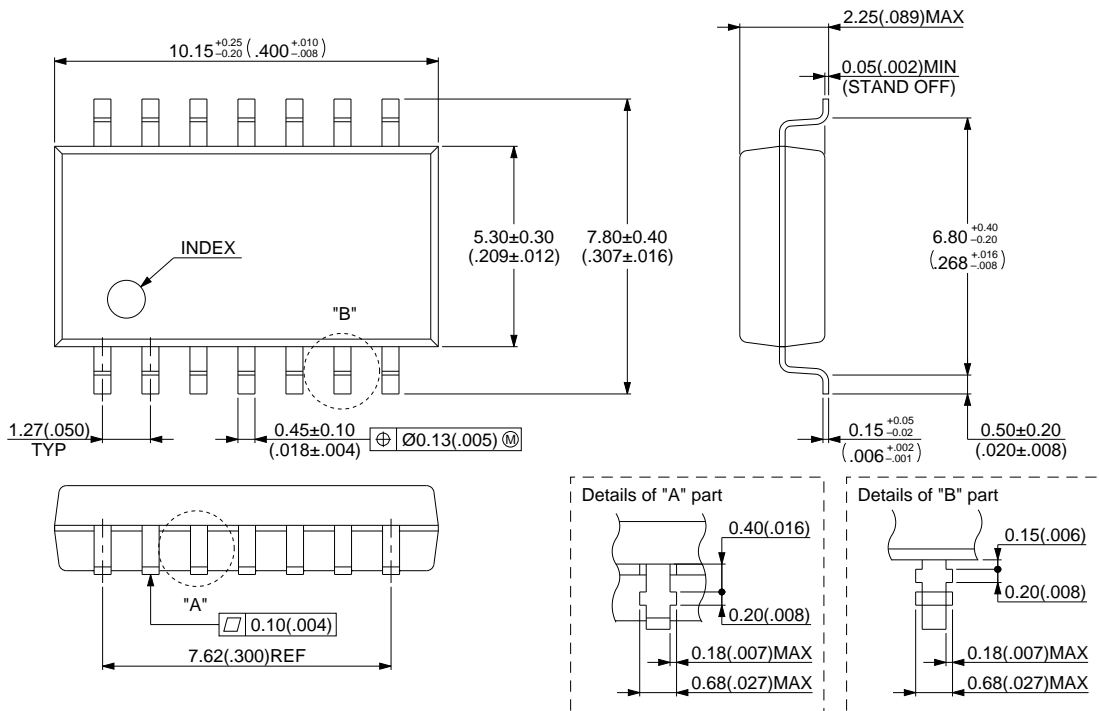
© 1994 FUJITSU LIMITED D14006SC-2-3

Dimensions in mm(inches).

MB3614

■ PACKAGE DIMENSIONS (Continued)

14 pin, Plastic SOP
(FPT-14P-M04)



© 1994 FUJITSU LIMITED F14010S-2C-4

Dimensions in mm(inches).

FUJITSU LIMITED

For further information please contact:

Japan

FUJITSU LIMITED
Corporate Global Business Support Division
Electronic Devices
KAWASAKI PLANT, 4-1-1, Kamikodanaka
Nakahara-ku, Kawasaki-shi
Kanagawa 211-88, Japan
Tel: (044) 754-3763
Fax: (044) 754-3329

North and South America

FUJITSU MICROELECTRONICS, INC.
Semiconductor Division
3545 North First Street
San Jose, CA 95134-1804, U.S.A.
Tel: (408) 922-9000
Fax: (408) 432-9044/9045

Europe

FUJITSU MIKROELEKTRONIK GmbH
Am Siebenstein 6-10
63303 Dreieich-Buchsschlag
Germany
Tel: (06103) 690-0
Fax: (06103) 690-122

Asia Pacific

FUJITSU MICROELECTRONICS ASIA PTE. LIMITED
#05-08, 151 Lorong Chuan
New Tech Park
Singapore 556741
Tel: (65) 281-0770
Fax: (65) 281-0220

All Rights Reserved.

The contents of this document are subject to change without notice. Customers are advised to consult with FUJITSU sales representatives before ordering.

The information and circuit diagrams in this document presented as examples of semiconductor device applications, and are not intended to be incorporated in devices for actual use. Also, FUJITSU is unable to assume responsibility for infringement of any patent rights or other rights of third parties arising from the use of this information or circuit diagrams.

FUJITSU semiconductor devices are intended for use in standard applications (computers, office automation and other office equipment, industrial, communications, and measurement equipment, personal or household devices, etc.).

CAUTION:

Customers considering the use of our products in special applications where failure or abnormal operation may directly affect human lives or cause physical injury or property damage, or where extremely high levels of reliability are demanded (such as aerospace systems, atomic energy controls, sea floor repeaters, vehicle operating controls, medical devices for life support, etc.) are requested to consult with FUJITSU sales representatives before such use. The company will not be responsible for damages arising from such use without prior approval.

Any semiconductor devices have inherently a certain rate of failure. You must protect against injury, damage or loss from such failures by incorporating safety design measures into your facility and equipment such as redundancy, fire protection, and prevention of over-current levels and other abnormal operating conditions.

If any products described in this document represent goods or technologies subject to certain restrictions on export under the Foreign Exchange and Foreign Trade Control Law of Japan, the prior authorization by Japanese government should be required for export of those products from Japan.